

INSTALLATION INSTRUCTIONS

DESCRIPTION: Gauge Pod Kit

PART NUMBER: B5H-H35B0-V0

MODEL: '19 ~ YXZ1000R



⚠ WARNING

Please read and understand these instructions completely before installation to avoid possible injury, or damage to the accessory or vehicle.

WARRANTY INFORMATION:

In the United States, see your Yamaha dealer for a copy of the Genuine Yamaha Accessories Limited Warranty statement.

NOTICES:

This installation should be performed by an authorized Yamaha dealer or other qualified technician.

DEALER OR INSTALLER:

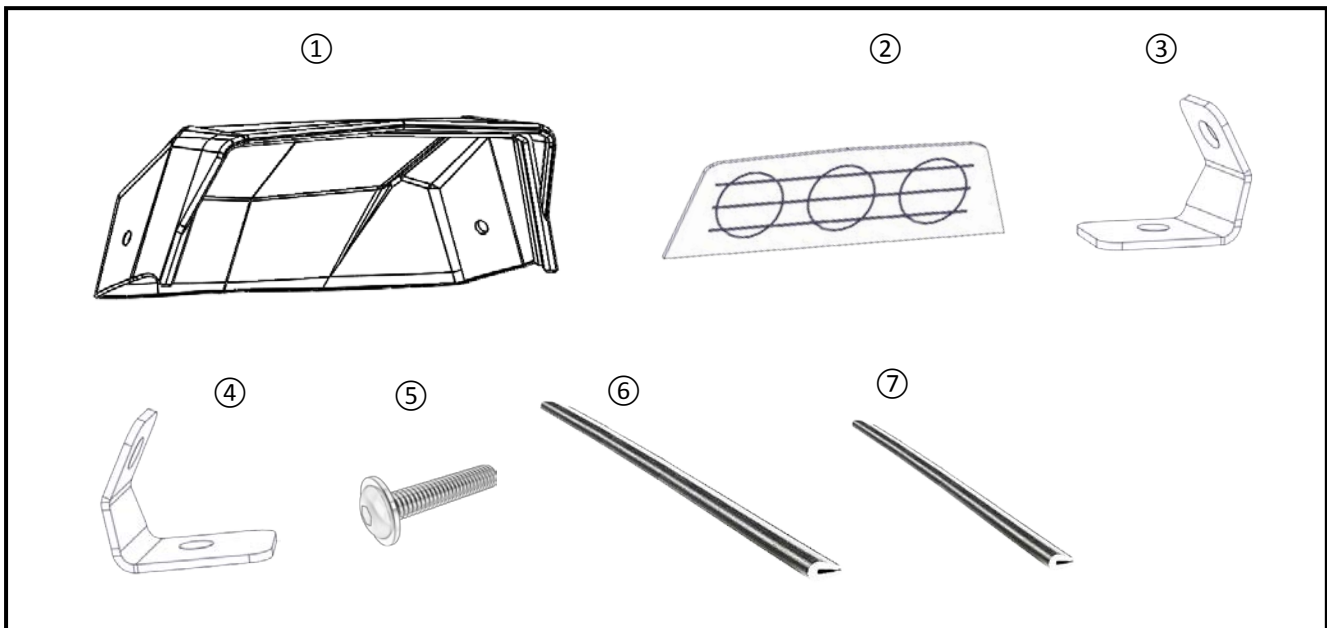
These instructions contain important information for future reference and *must* be given to the customer.

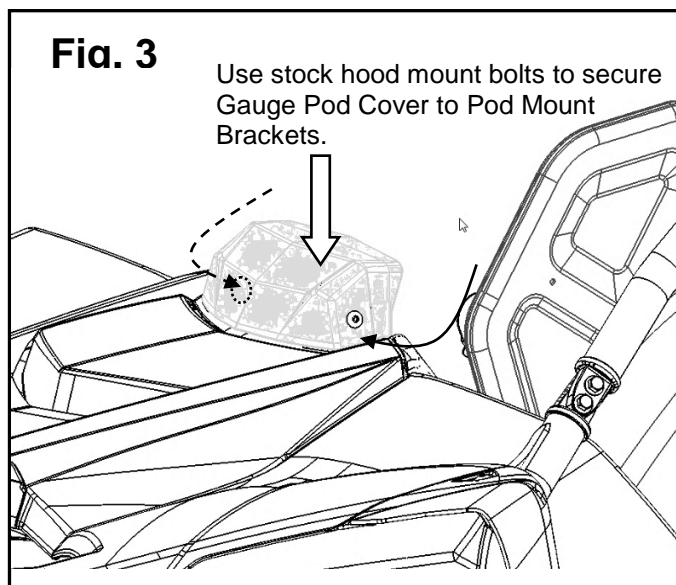
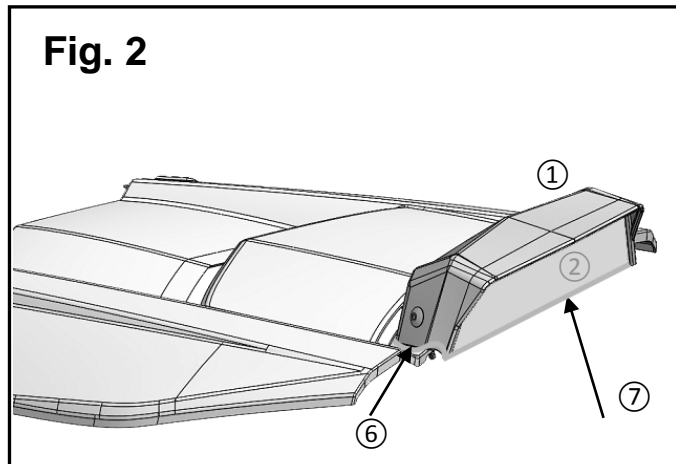
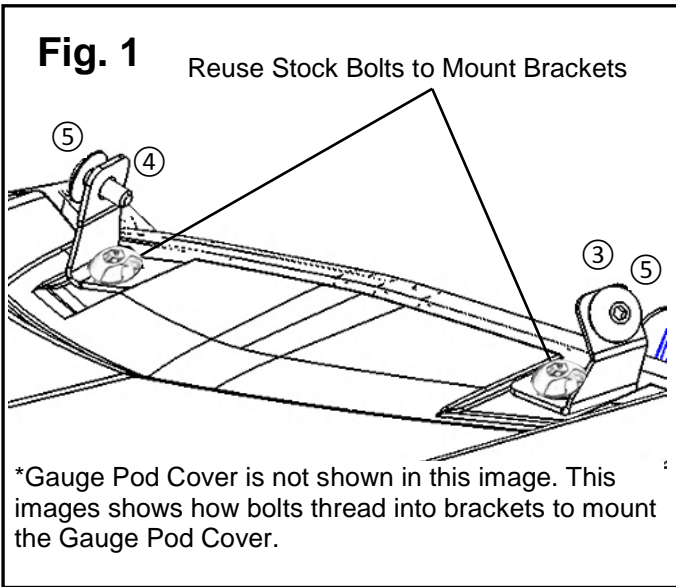
Note: If you are going to use the template, on page 3, to make your own faceplate, be sure to print this document 'actual size'.

PARTS LIST:

No.	Part Number	Description	Qty
--	B5H-H35B0-V0	Gauge Pod Kit	--
①	*	Gauge Pod Cover	1
②	*	Face Plate Panel (*back side shown)	1
③	*	Right Pod Mount Bracket	1
④	*	Left Pod Mount Bracket	1
⑤	*	M6x20mm Bolt	2
⑥	*	Meter Trim	.380m
⑦	*	Panel Trim	.265m

* Part supplied with kit only and not available separately.





PREPARATION:

- Park the vehicle on a secure and level surface.
- Clean all mounting surfaces before beginning installation.

Note: The Gauge Pod can be used to house Audio System Controller, gauges, and switches. These are all sold separately.

INSTALLATION:

1. Remove the hood from the vehicle. Retain all hardware for reuse.
2. Install the (3) Left and (4) Right pod mount brackets to the hood. Use the two (5) M6x20mm bolts to secure the brackets to the hood. See Fig.1. Torque these bolts to 7Nm (5.1 ft-lbf).
3. Use the guide marks on the back side of the (2) Face Plate Panel to mark and then cut out spaces to be used to install gauges or switches. These marks are shown in the image of the Face Plate Panel in the Parts List on page 1.

Note: You may need to remove material from the lip of the hood in order to pass wiring from the gauges or switches through to the front compartment or dash.

4. Install (6) to the lower edge of the face plate panel. Install See Fig. 2
5. Install (7) to the lower edge of the gauge pod. See Fig. 2
6. Press the (2) Face Plate Panel into the (1) Gauge Pod Cover. See Fig. 2.
7. Install gauges or switches to the Face Plate Panel.
8. Reuse the two bolts removed from the hood to attach the Gauge Pod Cover to the Pod Mount Brackets as shown in Fig. 3. As you thread in the OE bolts, use light pressure on top of the gauge pod so that the gauge pod seats against hood. Torque these bolts to 7Nm (5.1 ft-lbf)

Note: The attached template (page 3) can be used by an installer to create custom gauge pod faceplates. Yamaha uses a common rocker switch to control many accessories. The template provides the cutout points to install rocker switches.

MAINTENANCE:

Periodically, check torque on all hardware. If loose hardware is found, re-torque to specification.

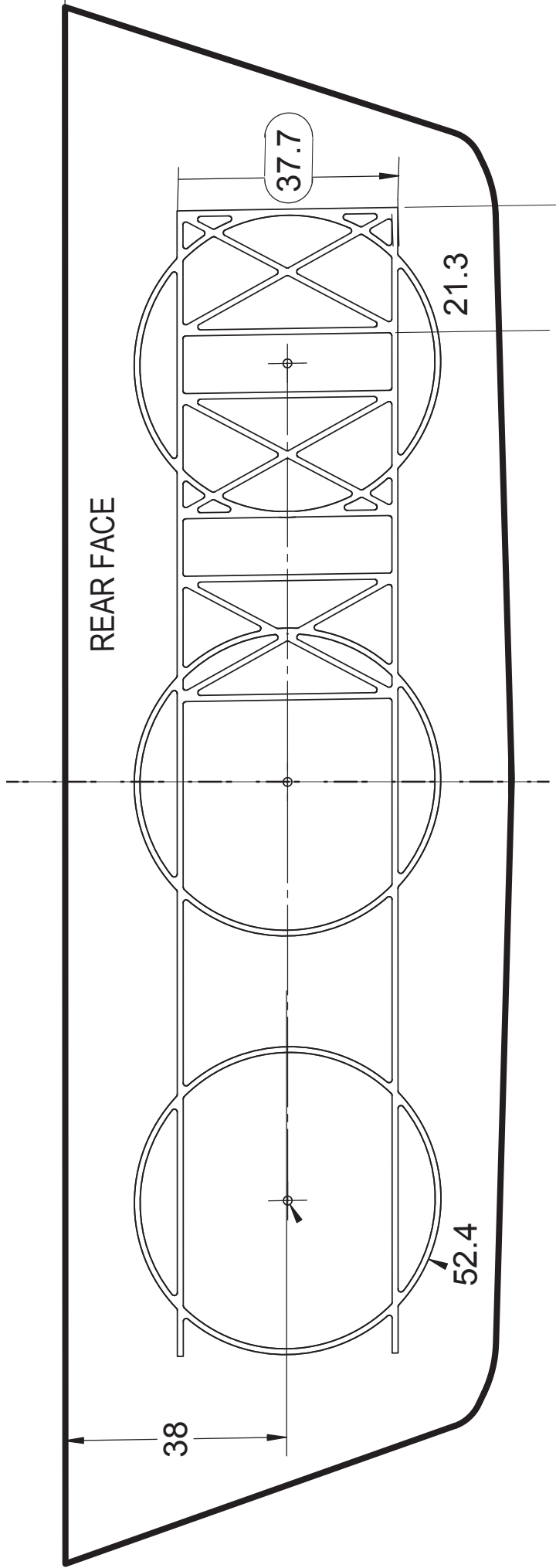
CARE AND CLEANING:

Clean Gauge Pod with a clean soft cloth and mild soap and water. Dry with a clean soft cloth.

CUSTOMER SERVICE:

For further information see your Yamaha dealer.

ESTIMATED TIME TO INSTALL: 1.0 HRS



This line is 5" long. Measure it to ensure that the template printed correctly.
 Print with settings set to 'Actual Size'

Template Includes Patterns for:

- Three 2 1/16" Diameter Cutouts
- Three Carling Contura Switch Cutouts.